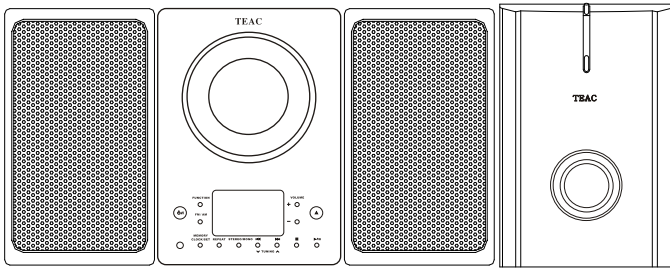


# TEAC



## SERVICE MANUAL

# MC-DX15/20

### MICRO Hi-Fi SYSTEM



#### NOTES

- PC board shown are viewed from parts side.
- The parts with no reference number or no parts number in the exploded views are not supplied.
- As regards the resistors and capacitors, refer to the circuit diagrams contained in this manual.
- ⚠ Parts marked with this sign are safety critical components. they must be replaced with identical components - refer to the appropriate parts list and ensure exact replacement.
- Parts of [ ] mark can be used only with the version designated.  
[E]: EUROPE [UK]: U.K. [AUS]: AUSTRALIA  
[HK]: HONG KONG [SIN]: SINGAPORE

#### CONTENTS

<b>1 SPECIFICATIONS</b>	2
<b>2 ADJUSTMENT AND CHECKS</b>	3
<b>3 EXPLODED VIEW AND PARTS LIST</b>	6
<b>4 PC BOARDS AND PARTS LISTS</b>	11
<b>5 WIRING DIAGRAM</b>	19
<b>6 INCLUDED ACCESSORIES</b>	21

# MC-DX15/20

## 1 SPECIFICATIONS

### Amplifier Section

Output Power (L+R)	5W + 5W
Output Power Subwoofer:	15 W
Input Sensitivity	300mV
Frequency Response :	50 to 20,000 Hz

### Tuner Section (FM)

Frequency Range	87.5 MHz to 108.0 MHz
Sensitivity (S/N30dB)	20dBuV

### Tuner Section (AM)

Frequency Range	522 to 1620 kHz
Sensitivity (S/N20dB)	54dBuV/m

### CD Player Section

Frequency Responce	20 to 20,000 Hz (+/-1dB)
Signa-to-Noise Ratio	55 dB
Wow and Flutter	Unmeasurable

### SPEAKER SYSTEM Section

L & R speaker :	
Type :	Full range flat type
Impedance :	4 ohms
Subwoofer:	
Impedance :	8 ohms

### GENERAL

Power Requirements:	AC230V, 50 Hz
Power Consumption:	80 W
Dimension (W x H x D):	Main Unit 160 x 226 x 86 mm L & R Speaker 140 x 226 x 61mm Subwoofer 160 x 234 x 330mm
Weight: (net)	Main Unit 0.96 kg L & R Speaker 0.6 kg(each) Subwoofer 5.3 kg
Standard Accessories:	Remote Control Unit x 1 Subwoofer Cable x 1 Speaker Cable x 2 FM Antenna x 1 AM Antenna x 1 Battery for Remote Control x 1 Wall Mount Adaptor x 3 Wall Mount screw x 10 Tape Plastic Wall Anchor x 10 Template for Wall Mounting x 1 Owner s Manual x 1 Warranty Card x 1

- Design and specifications are subject to change without notice.
- Illustrations may differ slightly from production models.
- Weight and dimensions are approximate.

## 2 ADJUSTMENTS AND CHECKS

### 2-1 TUNER SECTION

- Use a screwdriver with a plastic or ceramic grip for all adjustment.

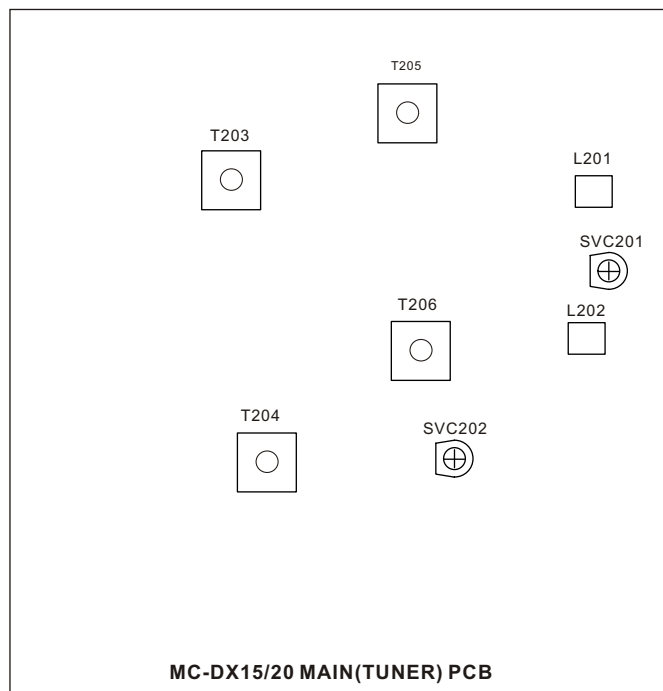
#### 2-1-1 FM adjustment

1. Set the function switch to the FM position.
2. Connect the signal generator output through a 75 ohm dummy antenna to "ANT" on MAIN PCB.
3. Connect the oscilloscope to the speaker terminal.
4. Set the signal generator as listed in the alignment chart.

#### 2-1-2 AM adjustment

1. Set the function switch to the AM position.
2. Connect the test loop antenna across the output of the signal generator.
3. Connect the oscilloscope to the speaker terminal.
4. Set the signal generator as listed in the alignment chart.

### 2-2 Adjustment and Test Points



# MC-DX15/20

## 2-2-1 FM/AM alignment chart

ITEM	SG SETTING	TUNER SETTING	ADJUSTMENT POINT	ADJUSTMENT
<b>FM</b>				
<b>1.IFT adjustment</b>	10.7 MHz 1kHz, +/-22.5kHz dev.	108MHz	T205	With 10.7 MHz at zero crossover
<b>2. FM band</b>	87.5MHz 1kHz, +/-22.5kHz dev.	87.5MHz	L202	Adjust for max. output and best waveform.
<b>3. Tracking</b>	90MHz 1kHz, +/-22.5kHz dev.	90MHz	L201	
	106MHz 1kHz, +/-22.5kHz dev.	106MHz	SVC201	
	Repeat step 3			
<b>AM</b>				
<b>1. IF adjustment</b>	455kHz 1kHz, 30% mod	1620kHz	T203	Center for max. output.
<b>2. AM band</b>	522kHz 1kHz, 30% mod	522kHz	T206	Adjust for max. output and best waveform.
<b>3. Tracking</b>	600kHz 1kHz, 30% mod	600kHz	AM ant coil (T204)	
	1400kHz 1kHz, 30% mod	1400kHz	SVC202	
	Repeat step 3			

## 2-3 CD SECTION

Auto alignment.

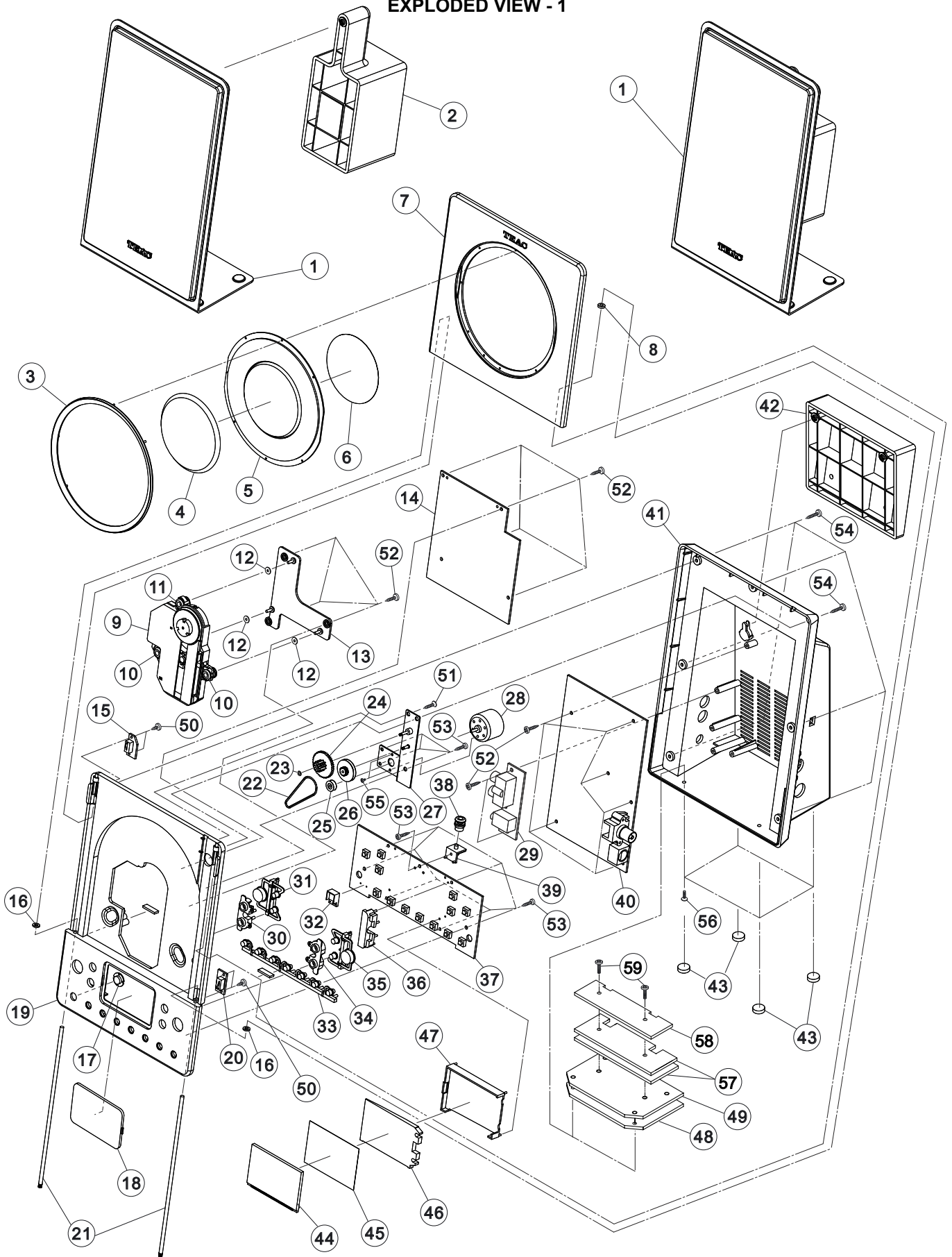
## 2-4 Version's Differences

	Version		Color	AC Plug	MP3	75 OHM Terminal	RDS	Low Power Consumption Standby Circuit (Subwoofer)
<b>MC-DX15</b>	Australia	AUS	SILVER	AUS	NO	YES	NO	NO
<b>MC-DX20</b>	Australia	AUS	BLACK	AUS	YES	YES	NO	NO
	Europe	EUR	SILVER	VDE	YES	YES	YES	YES
	UK	UK	SILVER	UK	YES	YES	YES	YES
	Hong Kong	HK	SILVER	UK	YES	YES	NO	YES
	Singapore	SIN	SILVER	VDE	YES	YES	NO	YES

# MC-DX15/20

## 3 EXPLODED VIEWS AND PARTS LIST

EXPLODED VIEW - 1



## EXPLODED VIEW-1

REF. NO	PARTS NO.	DESCRIPTION	REMARKS
1-1	19-50DX01500020	SPEAKER BOX ASSY - MC-DX20 [AUS]	
	19-50DX01500030	SPEAKER BOX ASSY - MC-DX15, MC-DX20 [E,UK,HK,SIN]	
1-2	56-07DX0155A000	FULL WALL PLATE-SPEAKER - MC-DX15,MC-DX20 [E,UK,HK,SIN] - SILVER COL	
	56-07DX0155B000	FULL WALL PLATE-SPEAKER - MC-DX20 [AUS] - BLACK COL	
1-3	56-78DX0151G000	CD DOOR CHROME RING	
1-4	61-68DX01500020	CD ALUM COVER DIA 68MM	
1-5	56-57DX01510000	CD DOOR LENS	
1-6	57-08DX01500020	CD DOOR PVC PLATE	
1-7	56-14DX0150A030	CD DOOR - MC-DX15 - SILVER COL	
	56-14DX0150B010	CD DOOR - MC-DX20 [AUS] - BLK COL	
	56-14DX0150A020	CD DOOR - MC-DX20 [HK,SIN] - SILVER COL	
	56-14DX0150A040	CD DOOR - MC-DX20 [E,UK] - SILVER COL	
1-8	58-58DX01500620	RUBBER RING D5.4X3X1.5MM	
1-9	20-70CMSM95B00	CD MECH. (SAMSUNG) CMS-M95BG6	
1-10	58-61MC23500020	SHOCK ABSORBER (GREY) AC112-SI-20C	
1-11	58-61MC23500120	SHOCK ABSORBER- BLACK	
1-12	68-122301600400	FIBRE WASHER 3X6X0.4MM	
1-13	56-07DX01539000	CD BRACKET	
1-14	05-30DX01500001	CD(MP3) PCB ASSY -MC-DX20 [AUS]	
	05-30DX01500011	CD(MP3) PCB ASSY - MC-DX15	
	05-30DX01510100	CD(MP3) PCB ASSY - MC-DX20 [E,UK]	
	05-30DX01510110	CD(MP3) PCB ASSY - MC-DX20 [HK,SIN]	
1-15	48-23DX0150022A	CLOSE SW PCB ASSY	
1-16	58-58DX01500420	RUBBER RING D5.4X3X1MM	
1-17	56-57DX01532000	REMOTE LENS	
1-18	56-57DX01540010	DISPLAY LENS	
1-19	56-04DX0150A010	FRONT CABINET - MC-DX15 - SILVER COL	
	56-04DX0150B010	FRONT CABINET - MC-DX20 [AUS] - BLACK COL	
	56-04DX0150A020	FRONT CABINET - MC-DX20 [HK,SIN] - SILVER COL	
	56-04DX0150A030	FRONT CABINET - MC-DX20 [E,UK] - SILVER COL	
1-20	48-23DX01500220	OPEN SW PCB ASSY	
1-21	61-80DX01500020	FERRM SHAFT 155X3MM	
1-22	58-43DX01500020	DRIVE BELT DIA 31X1MM	
1-23	68-152402160300	PVC WASHER D4X1.6X0.3MM	
1-24	56-24DX01510000	STRAP GEAR	
1-25	56-760000000020	DOOR MOTOR PULLY	
1-26	56-24DX01500000	CD DOOR GEAR	
1-27	61-11DX01500320	MOTOR BRACKET	
1-28	58-44DX01500020	MOTOR 3V	
1-29	05-09DX01500000	HP/AUX JACK PCB ASSY	
1-30	56-57DX01559000	KNOB RING-L	
1-31	56-54DX0151A010	POWER KNOB-UNIT - SILVER COL	
	56-54DX0151B010	POWER KNOB-UNIT - BLACK COL	
1-32	56-07DX01569000	REMOTE BRACKET	
1-33	56-53DX0151A000	CD KNOB GROUP - MC-DX15, MC-DX20 [E,UK,HK,SIN] - SILVER COL	
	56-53DX0151B000	CD KNOB GROUP - MC-DX20 [AUS] - BLACK COL	
1-34	56-57DX01569000	KNOB RING-R	
1-35	56-53DX0150A010	CD DOOR OPEN KNOB -SILVER COL	
	56-53DX0150B010	CD DOOR OPEN KNOB - BLACK COL	
1-36	56-22DX0151B000	LIGHT COVER	
1-37	05-05DX01500000	KEY/DISPLAY PCB ASSY -MC-DX15, MC-DX20 [HK,SIN]	
	05-05DX01500010	KEY/DISPLAY PCB ASSY -MC-DX20 [AUS]	
	05-05DX01500020	KEY/DISPLAY PCB ASSY - MC-DX20 [E,UK]	

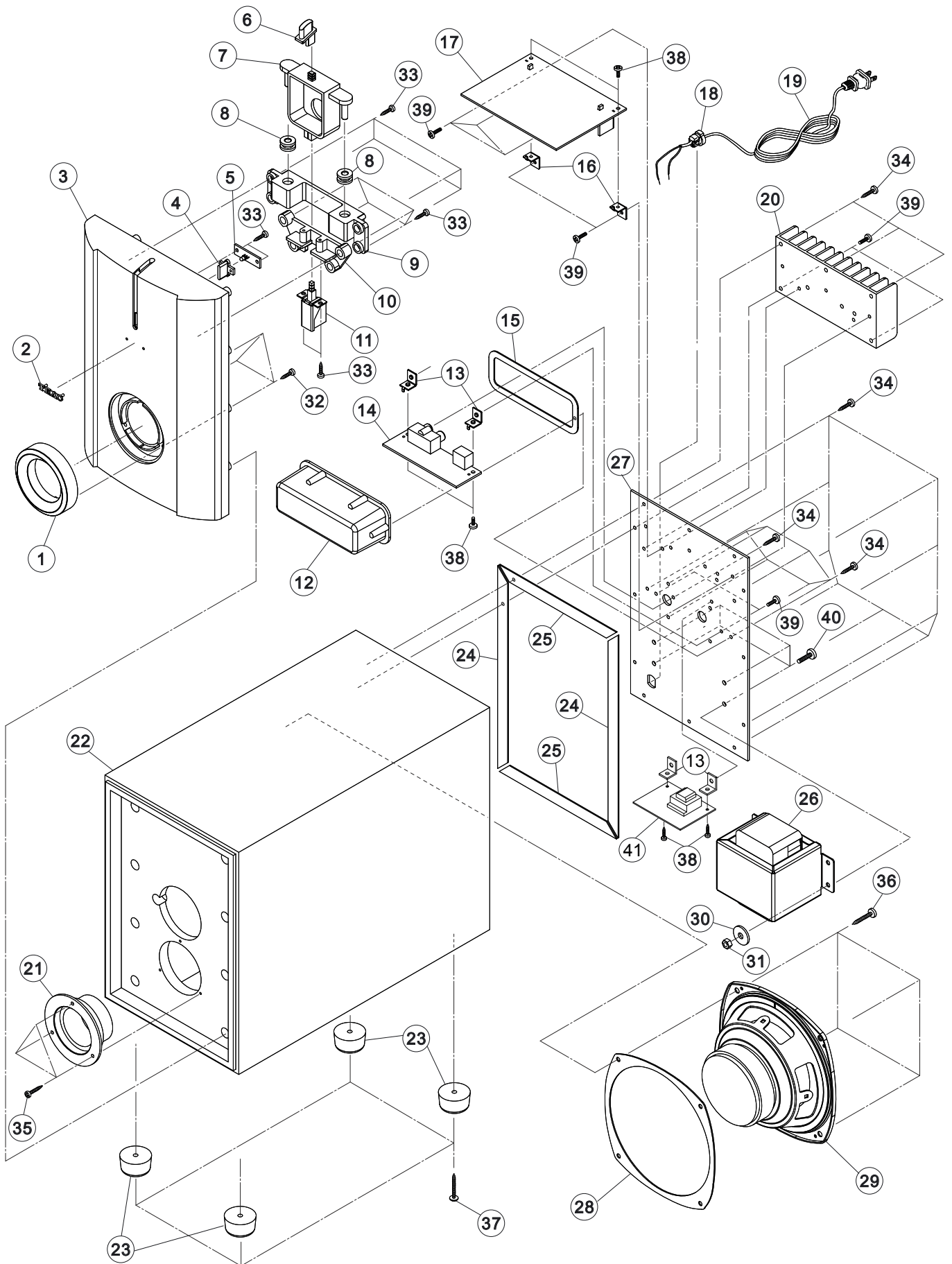
# MC-DX15/20

## EXPLODED VIEW-1

REF. NO	PARTS NO.	DESCRIPTION	REMARKS
1-38	58-61EX0M108120	SHOCK ABSORBER - GREY	
1-39	56-07DX01589000	RUBBER HOLDER	
1-40	05-01DX01500000	MAIN(TUNER) PCB ASSY - MC-DX15, MC-DX20 [AUS]	
	05-01DX01500100	MAIN(TUNER) PCB ASSY - MC-DX20 [E,UK]	
	05-01DX01500010	MAIN(TUNER) PCB ASSY - MC-DX20 [HK,SIN]	
1-41	56-05DX0150A020	REAR CABINET - MC-DX15, MC-DX20 [E,UK,HK,SIN] - SILVER COL	
	56-05DX0150B010	REAR CABINET - MC-DX20 [AUS] - BLACK COL	
1-42	56-07DX0154A000	FULL WALL PLATE - UNIT - MC-DX15, MC-DX20 [E,UK,HK,SIN] - SILVER COL	
	56-07DX0154B000	FULL WALL PLATE - UNIT - MC-DX20 [AUS] - BLACK COL	
1-43	58-263102300520	RUBBER FOOT	
1-44	13-05DX01500020	LCD DISPLAY	
1-45	57-262392590020	FILTER SHEET	
1-46	56-57DX01520000	BACK LIGHT LENS-UNIT	
1-47	56-07DX01579000	DISPLAY BRACKET	
1-48	61-11DX01500121	FERRM PLATE - HOLE (LOWER SIDE)	
1-49	61-11DX01500021	FERRM PLATE - SCREW HOLE (UPPER SIDE)	
1-50	66-140220160321	SCREW TA/BH 2X6MM	
1-51	66-140526210321	SCREW TA/KH 2.6X10MM	
1-52	66-140226180321	SCREW TA/BH 2.6X8MM	
1-53	66-140226180321	SCREW TA/PH 2.6X8MM	
1-54	66-140226210321	SCREW TA/BH 2.6X10MM	
1-55	66-120320130321	SCREW MS/PH 2X3MM	
1-56	66-120526160321	SCREW MS/KH 2.6X6MM	
1-57	66-11DX01500420	FERRM PLATE (C) 33X108X2MM (LOWER SIDE)	
1-58	66-11DX01500520	FERRM PLATE (D) 27X108X2MM (UPPER SIDE)	
1-59	66-120226210321	SCREW MS/BH 2.6X10MM	



## EXPLODED VIEW 2



# MC-DX15/20

## EXPLODED VIEW-2

REF. NO	PARTS NO.	DESCRIPTION	REMARKS
2-1	56-78DX0150G000	CHROME RING-SUBWOOFER BOX	
2-2	56-58EX0M118000	BADGE LOGO (3M01241801A)	
	56-58EX0M500010	BADGE LOGO (M01241802A)	
2-3	56-85DX0150A010	SUBWOOFER PANEL - MC-DX15, MC-DX20 [E,UK,HK,SIN] - SILVER COL	
	56-85DX0150B010	SUBWOOFER PANEL - MC-DX20 [AUS] - BLACK COL	
2-4	56-57DX01509000	LIGHT LENS-SUBWOOFER BOX	
2-5	48-16DX01500220	LED PCB	
2-6	56-54DX0150A000	POWER KNOB-SUBWOOFER BOX	
2-7	56-07DX01508000	BRACKET A-SUBWOOFER BOX	
2-8	58-58V820000020	WOOFER RUBBER	
2-9	56-07DX01518000	BRACKET B-SUBWOOFER BOX	
2-10	56-07DX01528000	BRACKET C-SUBWOOFER BOX	
2-11	41-193220000010	POWER SWITCH	
2-12	56-22DX01508000	PCB COVER	
2-13	61-11V820010020	PCB FIX BRACKET	
2-14	05-08DX01500000	RCA/D-S JACK PCB ASSY	
2-15	58-58DX01500320	CUSHION 106X40X1MM	
2-16	61-11V6000000020	PCB BRACKET	
2-17	05-07DX01500010	SUBWOOFER POWER PCB ASSY - MC-DX20 [E,UK,HK,SIN]	
	05-07DX01500001	SUBWOOFER POWER PCB ASSY - MC-DX15, MC-DX20 [AUS]	
2-18	43-500000002020	AC CORD BUSHING	
2-19	⚠ 45-114180601006	AC LINE CORD SAAAPP 6FT [AUS]	
	⚠ 45-114200500005	AC LINE CORD VDE APP 2M [E]	
	⚠ 45-114200500061	AC LINE CORD VDE APP 2M [SIN]	
	⚠ 45-114200510008	AC LINE CORD BS PLUG VDE APP 2M [UK,HK]	
2-20	61-48DX01500020	HEAT SINK - A	
2-21	56-87DX0150B010	PLASTIC TUBE	
2-22	58-73DX01500020	SUBWOOFER BOX - MC-DX15, MC-DX20 [E,UK,HK,SIN] - SILVER COL	
	58-73DX01500120	SUBWOOFER BOX - MC-DX20 [AUS] - BLACK COL	
2-23	58-263253150020	RUBBER FOOT	
2-24	58-58DX01500120	CUSHION - LONG	
2-25	58-58DX01500220	CUSHION - SHORT	
2-26	⚠ 18-205DX0150120	TRANSFORMER E166 230V/50Hz [E,UK,HK,SIN]	
	⚠ 18-206DX0150120	TRANSFORMER E166 240V/50Hz [AUS]	
2-27	61-33DX01500720	SUBWOOFER REAR PANEL - MC-DX20 [E,UK,HK,SIN]	
	61-33DX01500420	SUBWOOFER REAR PANEL - MC-DX15	
	61-33DX01500620	SUBWOOFER REAR PANEL - MC-DX20 [AUS]	
2-28	58-58DX01500520	CUSHION SPEAKER	
2-29	19-033153300120	SUBWOOFER 5.25 -INCHES 30W	
2-30	68-112403101000	METAL WASHER 4X10X1MM	
2-31	67-021400000020	NUT M4MM	
2-32	66-140226210321	SCREW TA/BH 2.6X10MM	
2-33	66-140230210321	SCREW TA/BH 3X10MM	
2-34	66-140230212321	SCREW TA/BH 3X12MM	
2-35	66-140230212321	SCREW TA/BH 3X12MM	
2-36	66-141136216121	SCREW TA/PH 3.6X16MM	
2-37	66-141430220121	SCREW TA/BWH 3X20MM	
2-38	66-120230160121	SCREW MS/BH 3X6MM	
2-39	66-150230180123	HARDEN SCREW BT/TB 3X8MM	
2-40	66-120240212121	SCREW MS/BH 4X12MM	
2-41	05-03DX01500000	POWER STANDBY PCB ASSY - MC-DX20 [E,UK,HK,SIN]	

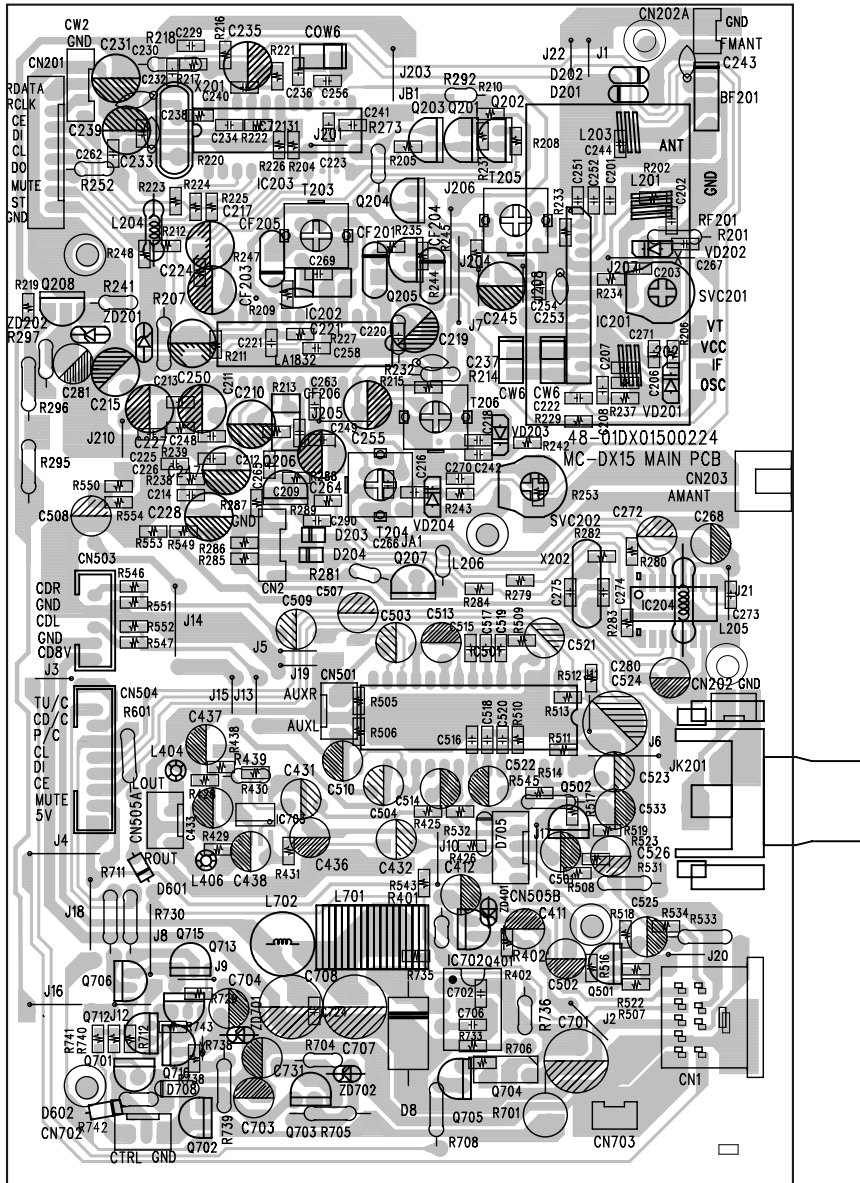
## 4 PC BOARDS AND PARTS LIST

### MAIN (TUNER)PCB ASSY

REF. NO	PARTS NO.	DESCRIPTION	REMARKS
	05-01DX01500000	MAIN(TUNER) PCB ASSY [AUS]	
	05-01DX01500100	MAIN(TUNER) PCB ASSY - MC-DX20 [E,UK]	
	05-01DX01500010	MAIN(TUNER) PCB ASSY - MC-DX20 [HK,SIN]	
	48-01DX01500224	MAIN(TUNER) PCB	
BT204	31-058880000110	BAND PASS FILTER #GFMB3-SE [E,UK]	
CF201,204	31-028107000120	FILTER LT10.7MA5	
CF203	31-026450010110	FILTER SFU450B	
CF205	31-038107020110	FILTER CDA10.7MG46-A	
CF206	31-046456000220	RESONATOR ZTB456F15	
CN1	43-462103003320	D-S TERMINAL #DSW-31	
CN201,504	43-012200180120	WAFER 2MM 8 PIN	
CN203	43-022250120120	WAFER 2.5MM 2PIN	
CN501,505A,702	43-012200130120	WAFER 2MM 3 PIN	
CN503	43-012200150120	WAFER 2MM 5 PIN	
CN505B	43-012200140120	WAFER 2MM 4 PIN	
D8	12-1N5822000021	RECTIFIER DIODE 1N5822	
D201,202,705,708	12-1N4148000021	DIODE 1N4148	
D203,204	12-1N4148000021	DIODE 1N4148 [E,UK]	
D708	12-1N4001000021	DIODE 1N4001	
D601,602	12-1N4001000021	DIODE 1N4001 [E,UK]	
IC202	16-LA1832000021	IC - LA1832	
IC203	16-LC7213100021	IC - LC72131	
IC204	16-BU1924F00021	IC - BU1924F [E,UK]	
IC501	16-LC7534200021	IC - LC75342	
IC702	16-MC34063A0021	IC - MC34063A	
IC703	16-SC1308000021	IC - SC1308-01	
JK201	43-421000003210	COAXIAL JACK IF-01A	
L204	38-014100050020	AXIAL INDUCTOR 100UH	
L205	38-013100050220	AXIAL INDUCTOR 10UH #EC-36 [E,UK]	
L404,406	38-013100050220	AXIAL INDUCTOR 10UH #EC-36	
L206, R241	38-013100050220	AXIAL INDUCTOR 10UH #EC24 [E,UK]	
L701	38-104230050020	CHOKE COIL 230UH	
L702	38-103200050020	CHOKE COIL 20UH	
Q201-203,501,502,11-9014C0000021		TR - 9014C	
Q705,706,715			
Q204,701	11-9015C0000021	TR - 9015C	
Q207	11-9015C0000021	TR - 9015C [E,UK]	
Q205	11-9018F0000021	TR - 9018F	
Q208	11-8050C0000021	TR - 8050C [E,UK]	
Q401,716	11-8050C0000021	TR - 8050C	
Q703	11-KSD882Y00021	TR - KSD882Y	
Q704	11-KSB772YS0021	TR - KSB772SY	
Q712,713	11-8550C0000021	TR - 8550C	
RF201	37-09A150000110	TUNER #FE450-G01 [E,UK]	
SVC202	27-501802201020	TRIMMER 20PF	
T203	40-02A049004020	IFT 7MMA049 - YELLOW	
T204	40-023120000020	IFT 7MM 312A - BLACK	
T206	40-02660R002020	IFT 7MM 660R - RED	
VD203,204	12-1SVC14900021	VARICAP DIODE 1SV-149	
X201	31-017450002010	CRYSTAL 4.5 MHZ	
X202	31-017433202020	CRYSTAL 4.332MHZ [E,UK]	
ZD202	12-011620320121	ZENER DIODE 6.2V	
ZD401	12-011470320121	ZENER DIODE 4.7V	
ZD701	12-012110320121	ZENER DIODE 11V	
ZD702	12-011910320121	ZENER DIODE 9.1V	

# MC-DX15/20

## MAIN(TUNER) PCB



## CD(MP3) PCB ASSY - TOP

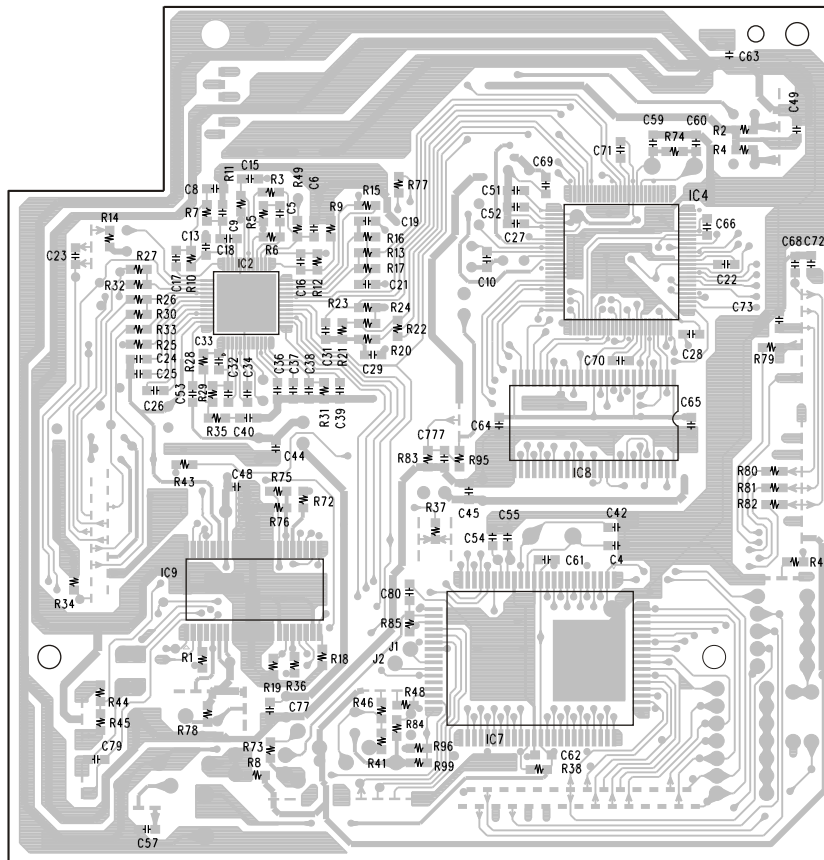
REF. NO	PARTS NO.	DESCRIPTION	REMARKS
	05-30DX01510100	CD(MP3) PCB ASSY - MC-DX20 [E,UK]	
	05-30DX01510110	CD(MP3) PCB ASSY - MC-DX20 [HK,SIN]	
	05-30DX01510001	CD(MP3) PCB ASSY - MC-DX20 [AUS]	
	05-30DX01500011	CD(MP3) PCB ASSY - MC-DX15	
	48-30DX01500322	CD(MP3) PCB [E,UK,AUS,HK,HK]	
	48-30DX01501321	CD(MP3) PCB - MC-DX15	
IC2	16-S1L9226X0021	IC - S1L9226X01	
IC4	16-S5L927900021	IC - S5L9279X01	
IC7	16-S3P825A00421	IC - S3P825A	
IC8	16-M12L16160021	IC - M12L16161A	
IC9	16-KA9259D00021	IC - KA9259D	

## CD(MP3) PCB ASSY - BOTTOM

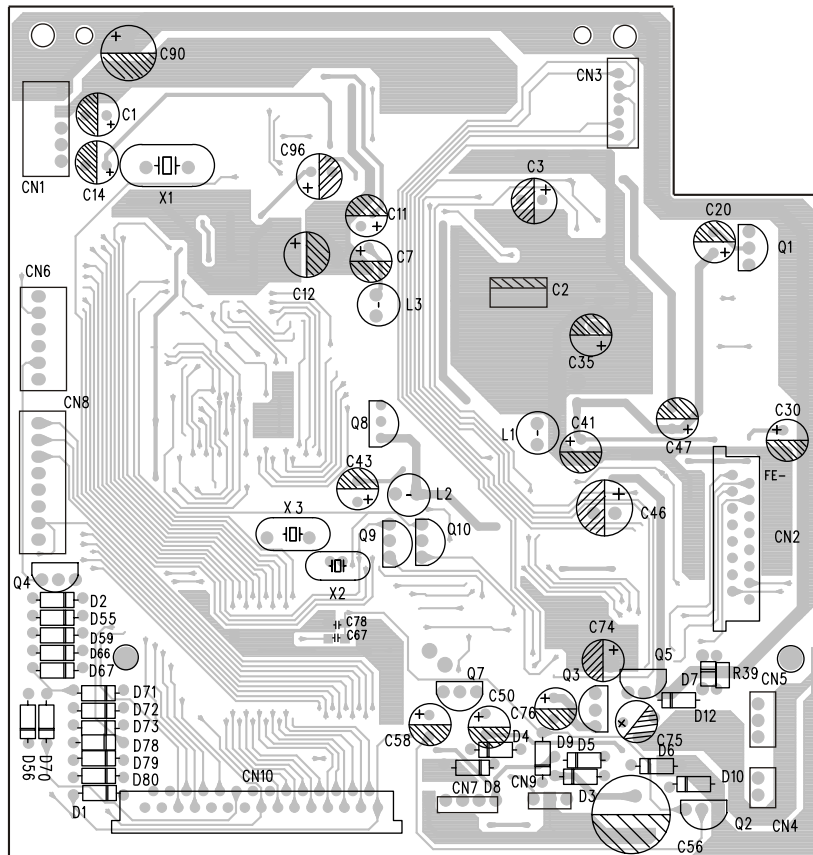
REF. NO	PARTS NO.	DESCRIPTION	REMARKS
C56	⚠ 26-017220650121	E.CAP 2200UF/10V	
CN2	43-022100216020	F.F.C WAFER 1MM 16 PIN	
CN3	43-012150160320	WAFER 1.5MM 6 PIN	
CN4	43-022200120120	WAFER 2MM 2 PIN	
CN5,9	43-022200130120	WAFER 2MM 3 PIN	
D1-5,9,10,55,56, D66,67,71-73,78	12-1N4148000021	DIODE 1N4148	
D11,62	12-1N4148000021	DIODE 1N4148 [E,UK]	
D6,8,12	12-011390320121	ZENER DIODE 3.9V	
D7	⚠ 12-1N5819000021	RECTIFIER DIODE 1N5819	
L1,2,3	38-013100050020	AXIAL INDUCTOR 10UH	
Q1,7,9,10	11-9015C0000021	TR - 9015C	
Q2,3,4,8	11-9014C0000021	TR - 9014C	
Q5	11-8550C0000021	TR - 8550C	
X1	31-018169302220	CRYSTAL 16.9344MHZ.	
X2	31-015320003310	CRYSTAL 32.768KHZ	
X3	31-017800002120	CRYSTAL 8.000MHZ	

# MC-DX15/20

## CD(MP3) PCB - TOP



## CD(MP3) PCB - BOTTOM



## SUBWOOFER POWER PCB ASSY

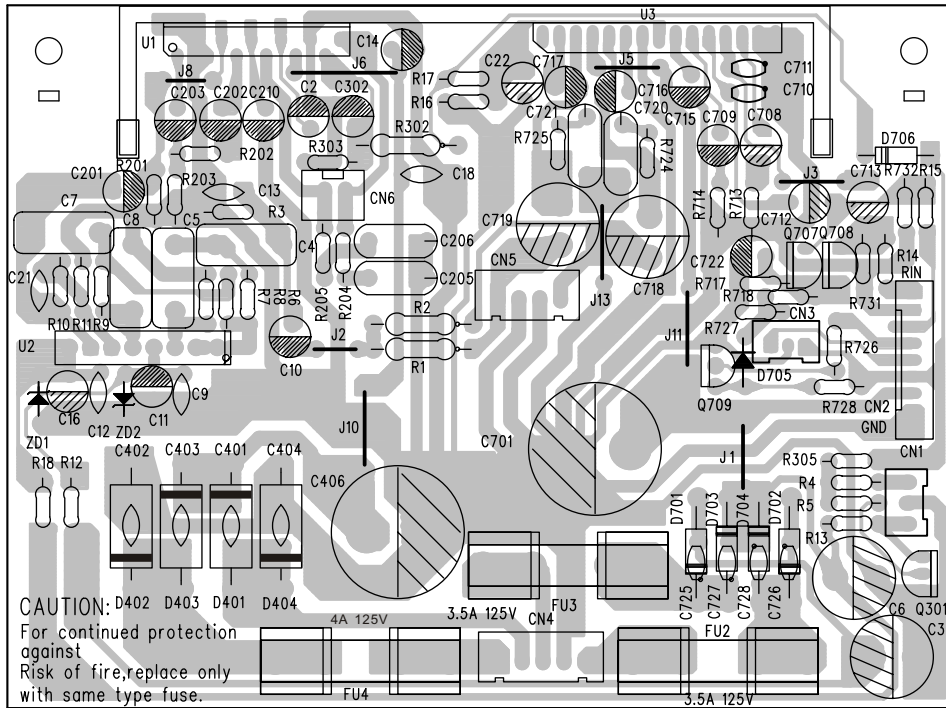
REF. NO	PARTS NO.	DESCRIPTION	REMARKS
	05-07DX01500010	SUBWOOFER POWER PCB ASSY [E,UK,HK,SIN]	
	05-07DX01500001	SUBWOOFER POWER PCB ASSY [AUS]	
	48-07DX01500122	SUBWOOFER POWER PCB	
CN1	43-012250130120	WAFER 2.5MM 3 PIN	
CN2	43-012200190120	WAFER 2MM 9 PIN	
CN3	43-012200130120	WAFER 2MM 3PIN	
CN4	43-012250150120	WAFER 2.5MM 5 PIN	
CN5	43-012250140120	WAFER 2.5MM 4 PIN	
CN6	43-012250120120	WAFER 2.5MM 2 PIN	
C406	⚠ 26-017470950111	E.CAP - 4700UF/35V	
C701	⚠ 26-017470850121	E.CAP - 4700UF/25V	
C718,719	⚠ 26-017100750121	E.CAP - 1000UF/16V	
D301,706	12-1N4001000021	RECTIFIER DIODE 1N4001	
D401-404	⚠ 12-1N5401000021	RECTIFIER DIODE 1N5401	
D701-704	⚠ 12-RL2020000021	RECTIFIER DIODE RL-202	
D705,707	12-1N4148000021	DIODE 1N4148	
FU2,3	⚠ 46-055350300010	GLASS FUSE 3.5A/250V	
FU4	⚠ 46-055400300010	GLASS FUSE T4A/250V	
Q301,709	11-9014C0000021	TR - 9014C	
Q707,708	11-2SD1936T0021	TR - 2SD1936T	
U1	16-TA8216H00021	IC - TA8216H	
U2	16-BA4558N00021	IC - BA4558N	
U3	16-BA5417000021	IC - BA5417	
ZD1,2	12-011910320121	ZENER DIODE 9.1V	

## RCA/D-S JACK PCB ASSY

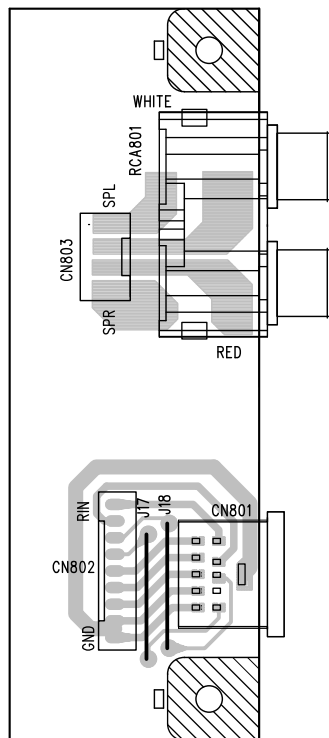
REF. NO	PARTS NO.	DESCRIPTION	REMARKS
	05-08DX01500010	RCA/D-S JACK PCB ASSY	
	48-08DX01500220	RCA/D-S PCB	
CN801	43-462103003320	D-S TERMINAL #DSW-31	
L801-804	43-462103003320	CHOKO COIL 10UH	
RCA801	43-451200006120	RCA JACK 2PIN	

# MC-DX15/20

## SUBWOOFER POWER PCB



## RCA/D-S JACK PCB






## KEY / DISPLAY PCB ASSY

REF. NO	PARTS NO.	DESCRIPTION	REMARKS
	05-05DX01500000	KEY/DISPLAY PCB ASSY- MC-DX15, MC-DX20 [HK,SIN]	
	05-05DX01500020	KEY/DISPLAY PCB ASSY - MC-DX20 [E,UK]	
	05-05DX01500010	KEY/DISPLAY PCB ASSY - MC-DX20 [AUS]	
	48-05DX01500120	KEY/DISPLAY PCB	
LCD	13-05DX01500020	LCD DISPLAY SDH-M2112-TN-1	
LED1,3	13-011300022020	LED D3MM - WHITE	
LED2,4	13-011506022120	LED D5MM - BLUE	
Q707	11-9015C0000021	TR - 9015C	
REM	17-05FM60380011	OPTIC SENSOR FM-6038TM2-5A	
SW1-13	41-150010030020	TACH SW 6x6mm 4 LEGS	

## STANDBY PCB ASSY

REF. NO	PARTS NO.	DESCRIPTION	REMARKS
	05-03DX01500000	STANDBY PCB ASSY - MC-DX20 [E,UK,HK,SIN]	
	48-03DX01500120	STANDBY PCB	
CN301	43-012200130120	WAFER 3PIN P=2MM	
D309-315	12-1N4001000021	DIODE - 1N4001	
FU1	 46-074100300020	SUBMINIATURE FUSE 100MA/250V	
Q302	11-9014C0000021	TR - 9014C	
Q303	16-LM78L0500121	IC - LM78L05	
RL301	46-50MC23000000	RELAY ME-7-009	

## HP/AUX JACK PCB ASSY

REF. NO	PARTS NO.	DESCRIPTION	REMARKS
	05-09DX01500000	HP/AUX PCB ASSY [AUS]	
	05-09DX01500010	HP/AUX PCB ASSY [E,UK,HK,SIN]	
	48-09DX01500120	HP/AUX PCB	
AUX	43-451200012020	RCA JACK 2PIN	
HEADPHONE	43-433160004020	PHONE JACK 3.5MM	
L401,402,403,405	38-013100050220	AXIAL INDUCTOR 10UH	

## OPEN SW PCB ASSY

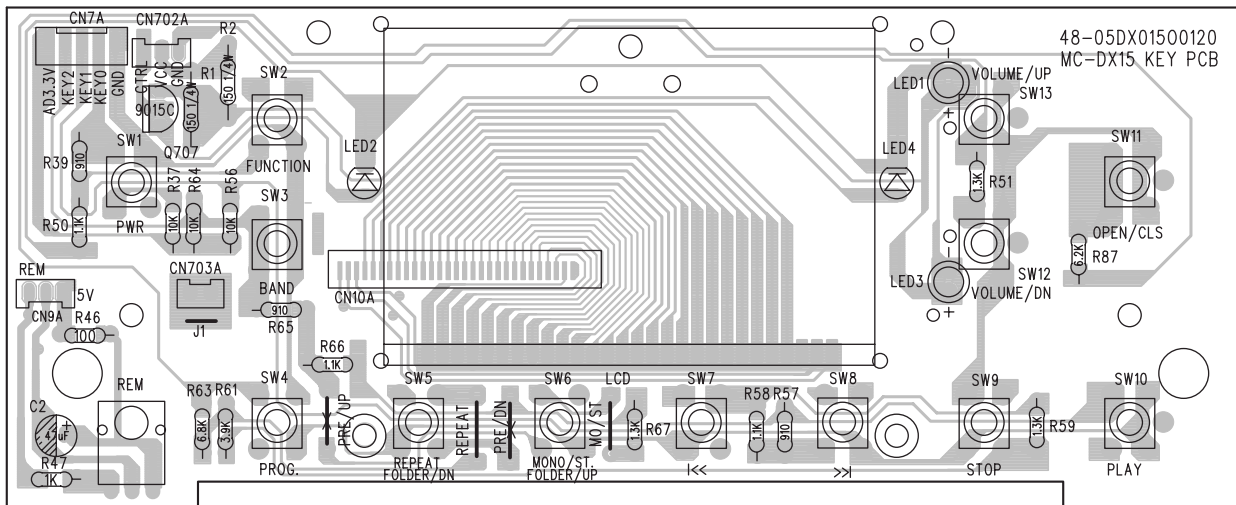
REF. NO	PARTS NO.	DESCRIPTION	REMARKS
	48-23DX01500220	OPEN SW PCB ASSY	
	41-071200000020	SERIES MICRO SWITCH SD-002	

## CLOSE SW PCB ASSY

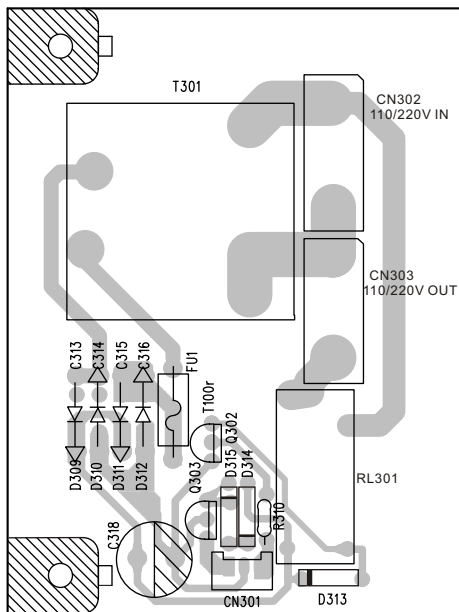
REF. NO	PARTS NO.	DESCRIPTION	REMARKS
	48-23DX0150022A	CLOSE SW PCB ASSY	
	41-071200000020	SERIES MICRO SWITCH SD-002	

# MC-DX15/20

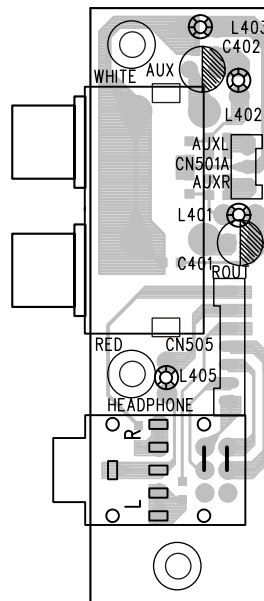
## KEY/DISPLAY PCB



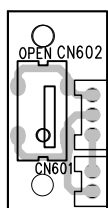
## STANDBY PCB



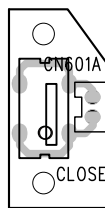
## HP/AUX JACK PCB



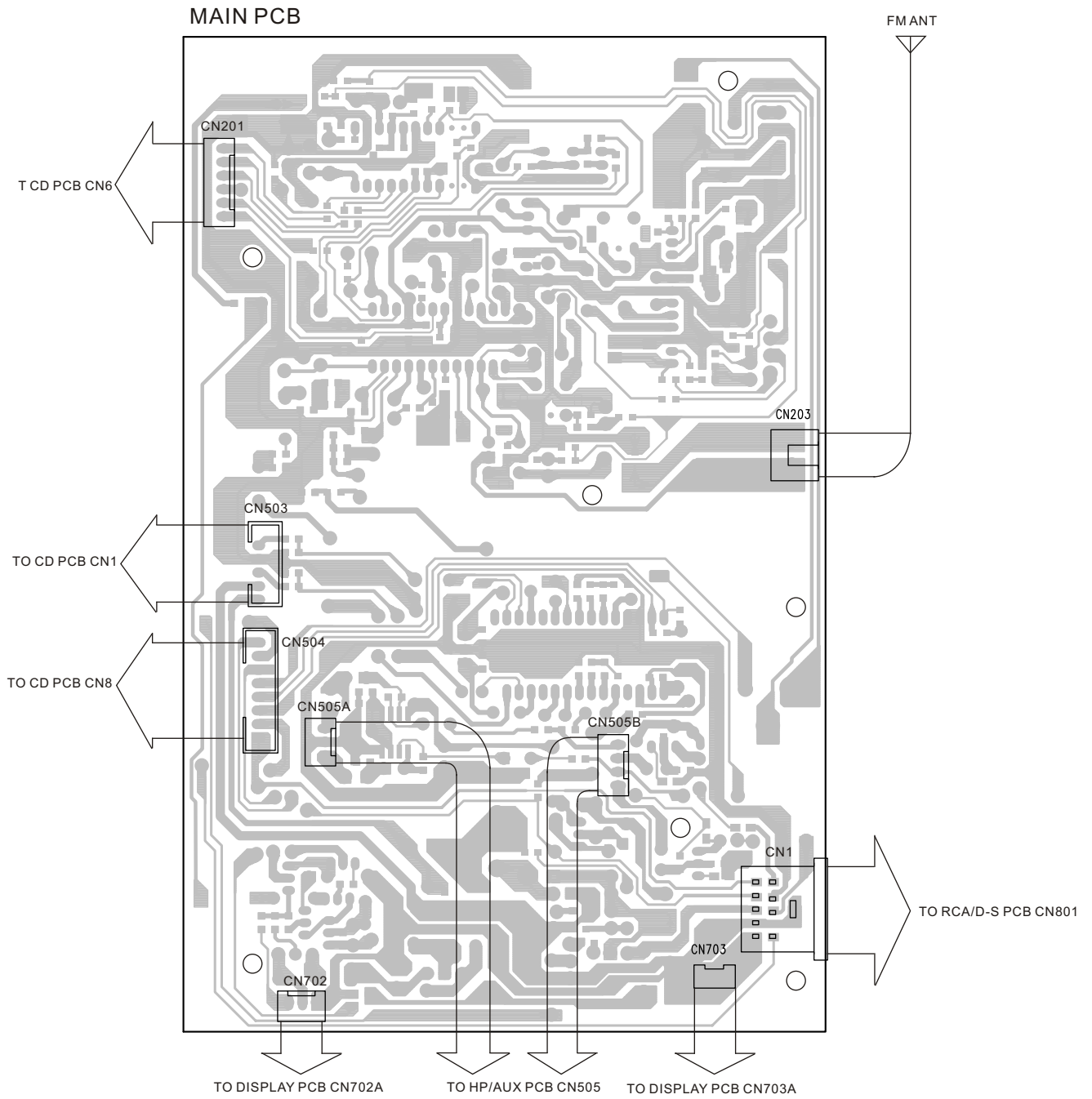
## OPEN SW PCB



## CLOSE SW PCB

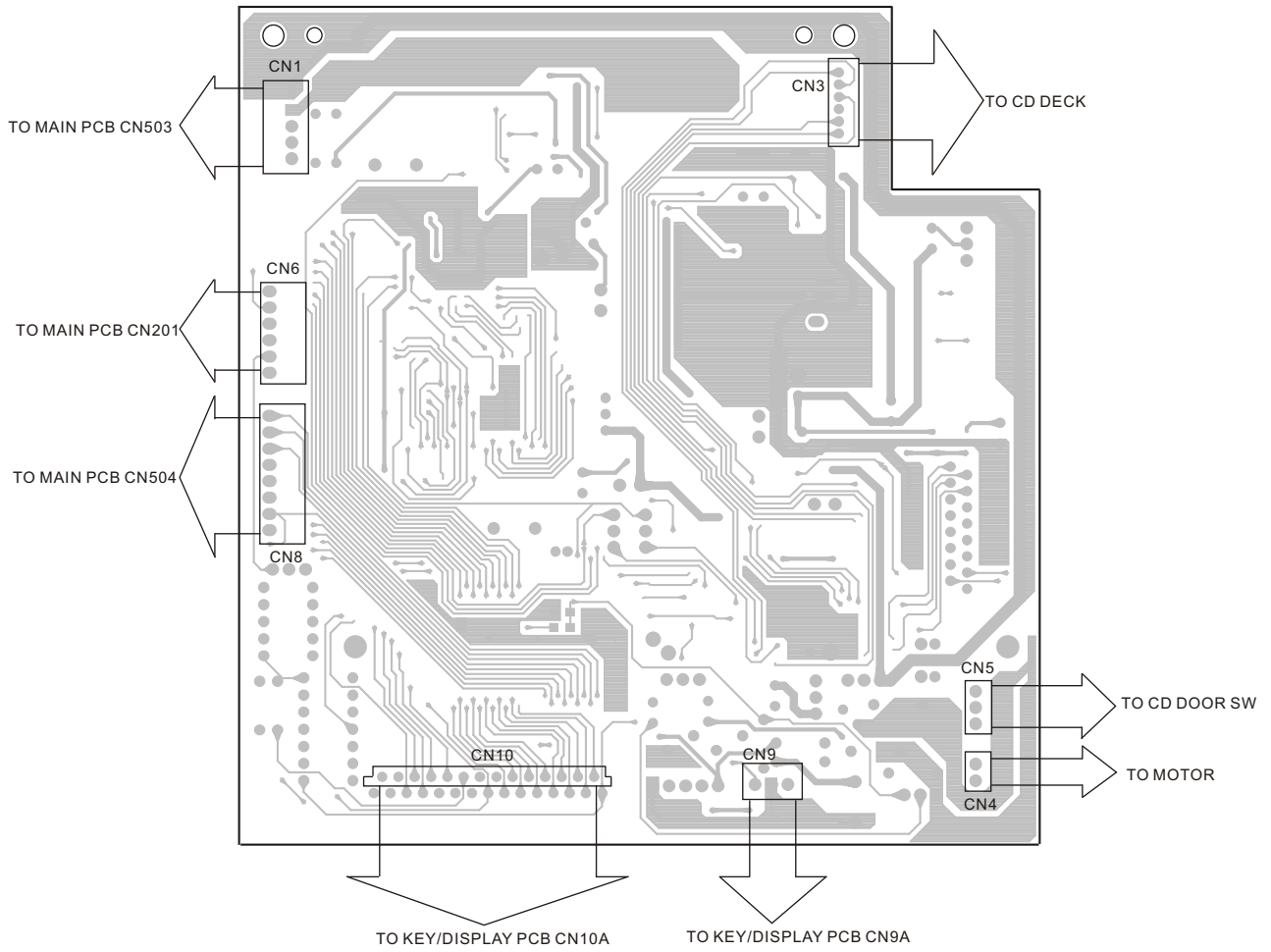


5 WIRING DIAGRAM

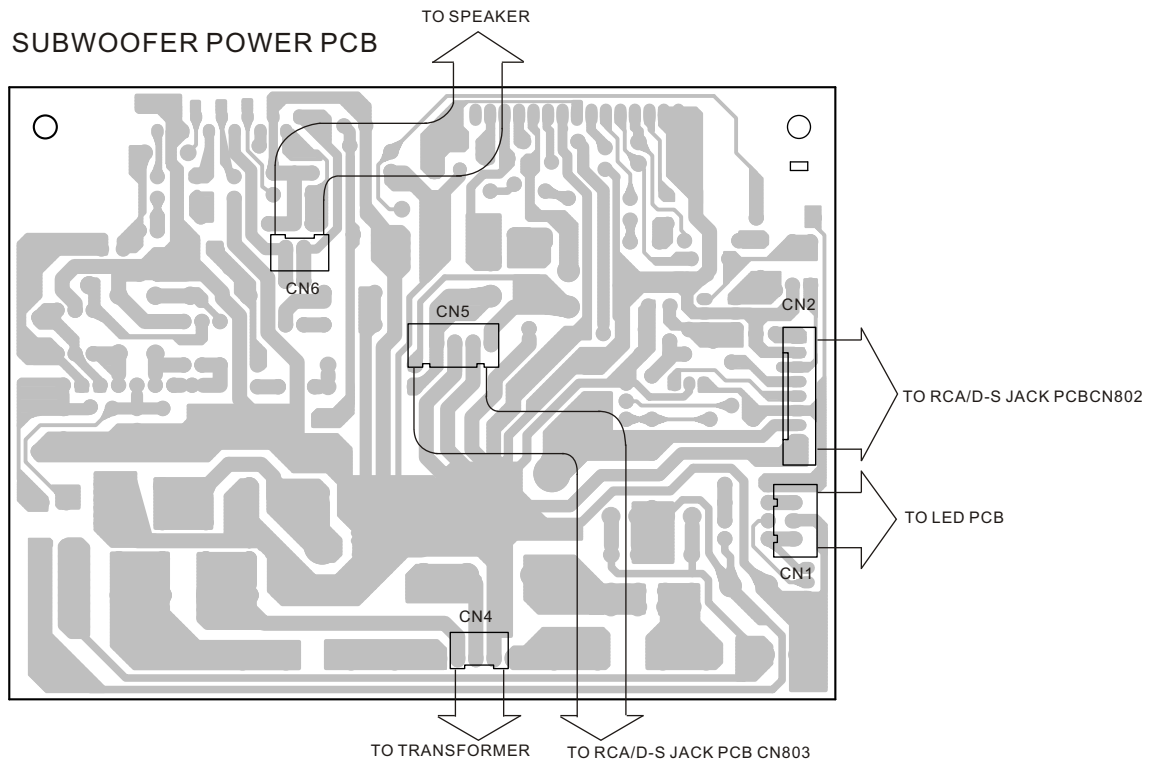


# MC-DX15/20

CD(MP3) PCB - BOTTOM



SUBWOOFER POWER PCB



## 6 INCLUDED ACCESSORIES

### INCLUDED ACCESSORIES

REF. NO	PARTS NO.	DESCRIPTION	REMARKS
	77-20DX01500720	INSTRUCTION BOOK (E/F/S) - MC-DX20 [E,UK]	
	77-20DX01500820	INSTRUCTION BOOK (G/I/H) - MC-DX20 [E,UK]	
	77-20DX01500320	INSTRUCTION BOOK (E) - MC-DX20 [AUS,HK,SIN]	
	77-20DX01500420	INSTRUCTION BOOK (E) - MC-DX15	
	45-194150000020	FM ANT 1.5M	
	02-32DX01500000	AM LOOP ANT ASSY	
	45-164300051020	SPEAKER CABLE - WHITE	
	45-164300151020	SPEAKER CABLE - RED	
	51-021301000050	LITHIUM BATTERY CR2032	
	45-244300059020	9 PIN S TERMINAL CABLE	
	02-17DX01500000	REMOTE CONTROL -MC-DX15	
	02-17DX01500001	REMOTE CONTROL - MC-DX20 [AUS,HK,SIN]	
	02-17DX01500010	REMOTE CONTROL - MC-DX20 [E,UK]	

# MC-DX15/20

---

# TEAC

---

<b>TEAC CORPORATION</b>	3-7-3 Nakacho, Musashino-shi, Tokyo 180-8550, Japan Phone:(0422)52-5081
TEAC AMERICA, INC.	7733 Telegraph Road, Montebello, California 90640 Phone: (323)726-0303
TEAC CANADA LTD.	5939 Wallace Street, Mississauga, Ontario L4Z 1Z8, Canada Phone: (905)-890-8008
TEAC MEXICO, S.A.De C.V.	Campesinos N°184, Colonia. Granjas Esmeralda, Delegacion Iztapalapa, CP 09810, Mexico DF Phone: (525)-581-5500
TEAC UK LIMITED	Unit 19 & 20, The Courtyards, Hatters Lane, Watford, Hertfordshire, WD18 8TE5, U.K. Phone:(0845) 130-2511
TEAC EUROPE GmbH	Bahnstrasse 12, 65205 Wiesbaden-Erbenheim, Germany Phone: 0611-71580
TEAC ITALIANA S.p.A.	Via C, Cantu 9/A, 20092 Cinisello Balsamo, Milano, Italy Phone:02-66010550
TEAC AUSTRALIA PTY., LTD.	280 William Street, Melbourne VIC 3000, Australia Phone:(03)9672-2400
A.B.N. 80 005 408 462	

This appliance has a serial number located on the rear panel. Please record the model number and serial number and retain them for your records.

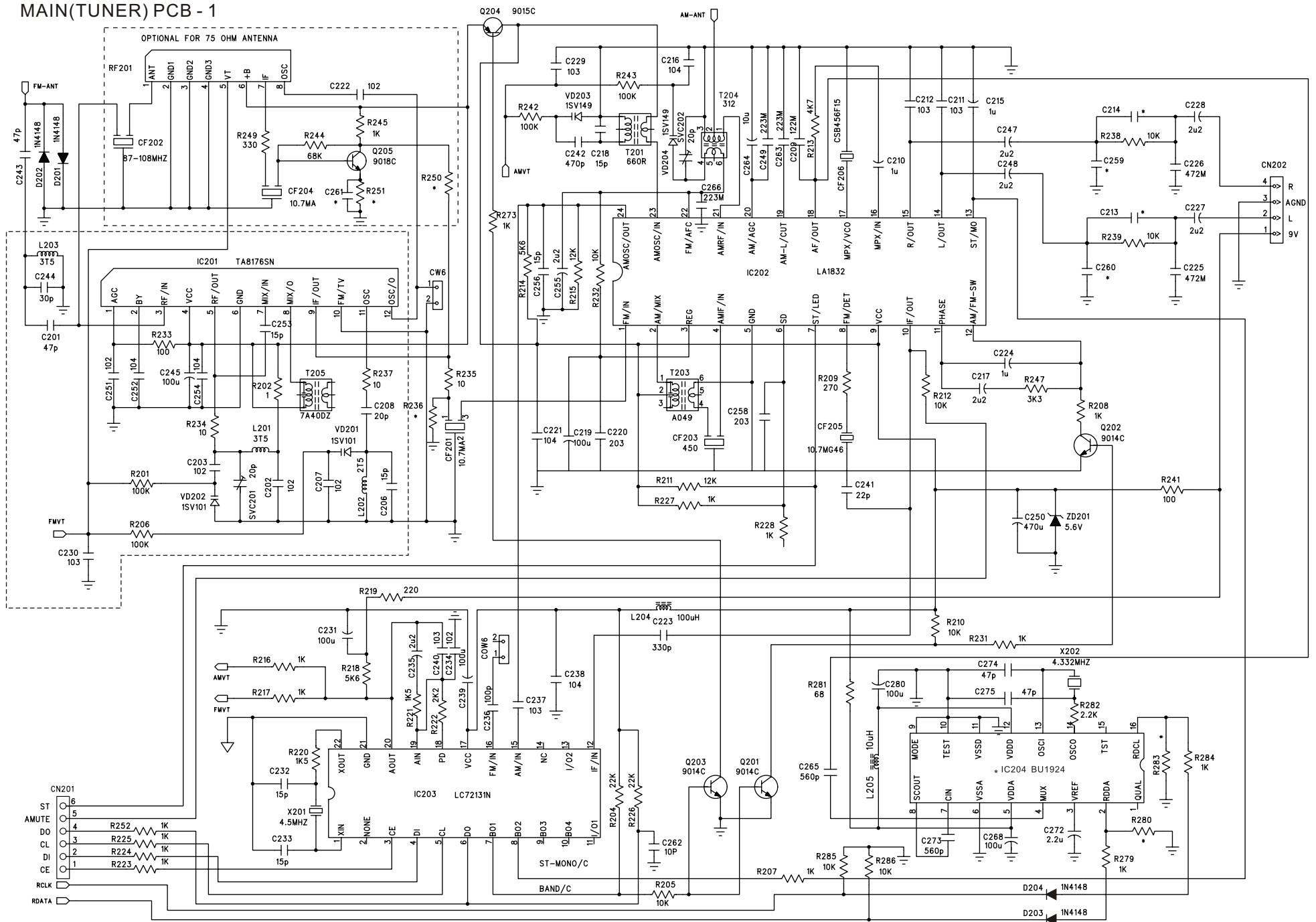
Model number

Serial number

0905: MA-1009A

PREPARED IN HONG KONG

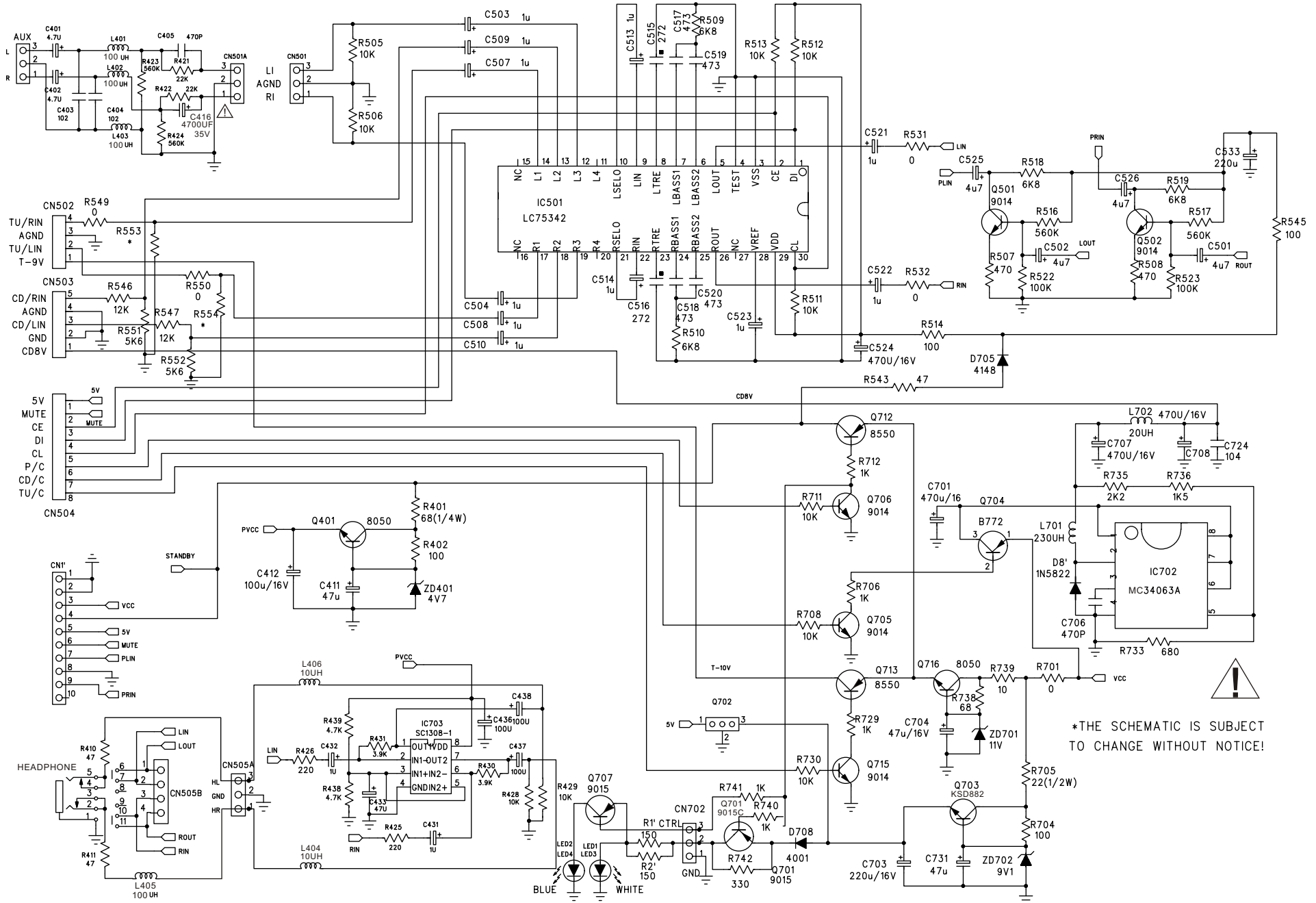
MAIN(TUNER) PCB - 1



\*REMARKS: IC204-BU1924 IS FOR MC-DX20 [E.UK] (RDS) VERSION ONLY.

**MC-DX15/20**  
MICRO HI-FI SYSTEM

MAIN(TUNER) PCB - 2

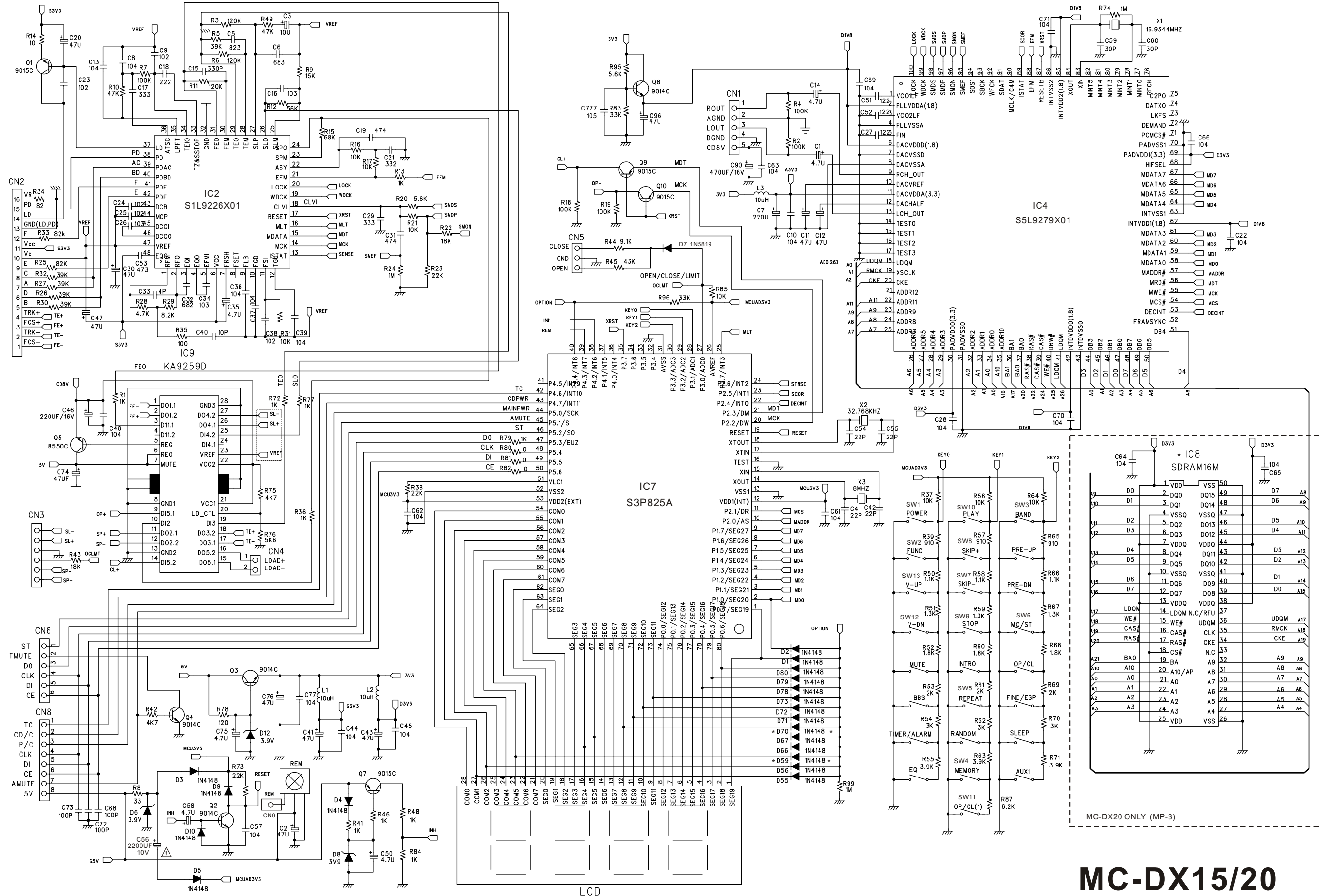


\*THE SCHEMATIC IS SUBJECT TO CHANGE WITHOUT NOTICE!

**MC-DX15/20**  
MICRO HI-FI SYSTEM

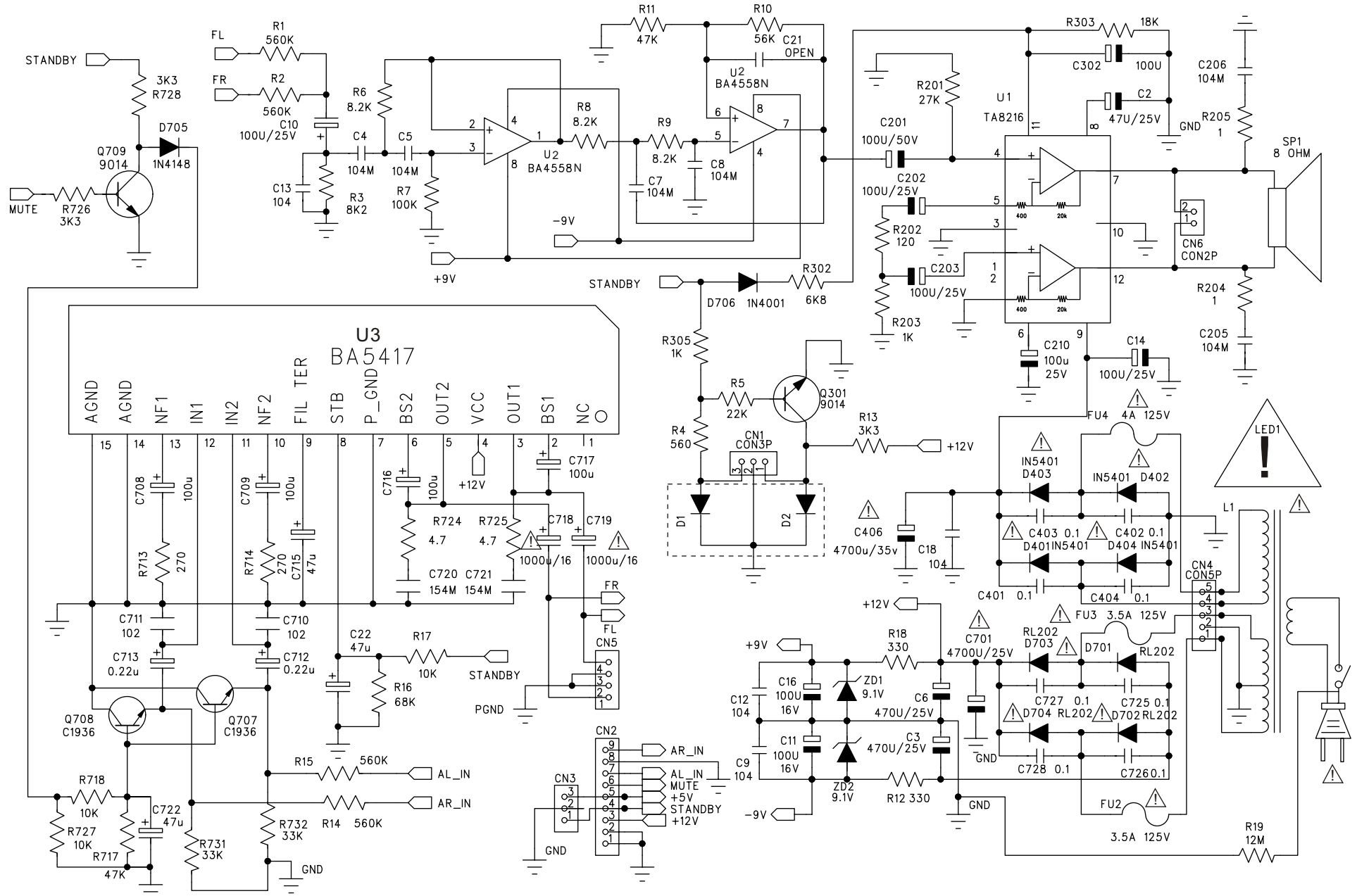


CD(MP3) PCB



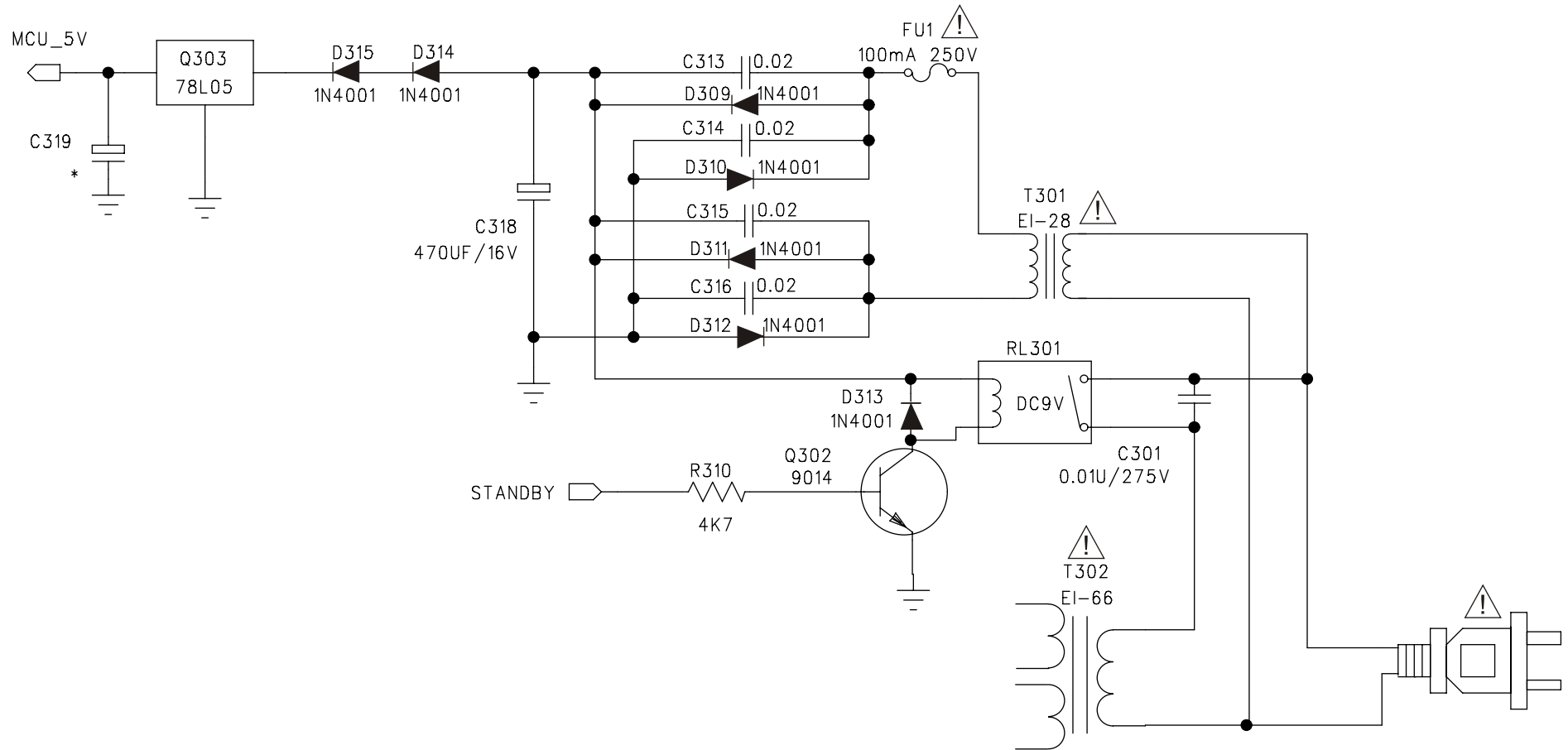
**MC-DX15/20**  
MICRO HI-FI SYSTEM

# SUBWOOFER POWER PCB



**MC-DX15/20**  
MICRO HI-FI SYSTEM

# LOW POWER STANDBY PCB



\* REMARK: LOW POWER STANDBY PCB IS FOR MC-DX20 [E,UK,HK,SIN]

# MC-DX15/20

## MICRO HI-FI SYSTEM